



GE
Lighting



6
kWh/1000h

A+
energy class

73
lumens/watt

GE Energy Smart™ GU10 Dimmable

LED5.5D/GU10G/840/220-240V/35/BX 1/8

84622

Product information

This new dimmable range of highly competitive LED GU10 products consume only 5.5W and 3.5W respectively and offer Halogen GU10 lamps with a halogen look-a-like single chip design.

Application areas



Retail



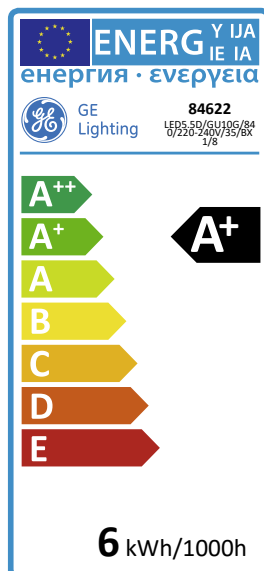
Office



Hospitality



Home



Product data

Product Code	84622
Bulb Shape	PAR
Bulb Finish	Silver
Bulb Diameter [mm]	50
Bulb maximum overall diameter [mm]	50.2
Maximum Overall Length [mm]	53.7
Net weight per piece [g]	30
Gross weight per piece [g]	104
Brand	General Electric (GE)
Cap/Base	GU10

Performance data

Nominal/ Rated Beam Angle [°]	35
Nominal/ Rated Beam Angle (°)	35
Colour consistency	6 steps
Nominal center beam candlepower (CBCP) [cd]	800
Rated peak intensity in [Cd]	800
Weighted energy consumption [kWh/1000h]	5.5
Nominal useful lumens [lm]	420
Useful lumens (at 90° cone) [lm]	400
Rated useful lumens [lm]	420
Energy efficiency class (EEC)	A+
Rated life L70/B50 [h]	25000
Nominal correlated colour temperature (CCT) [K]	4000
Nominal lumens [lm]	400
Colour Rendering Index (CRI) [Ra]	80

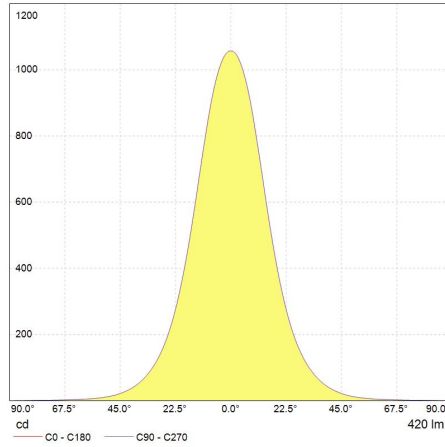
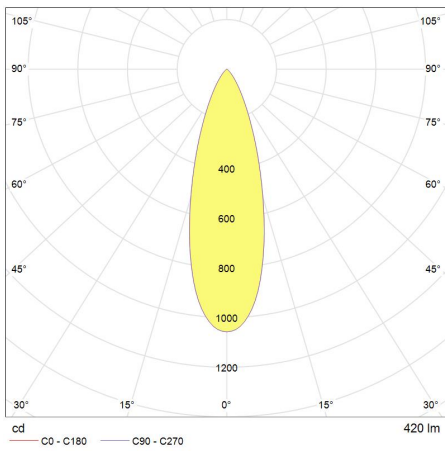
Electrical data

Nominal lamp power factor...	0.5
Rated power [W]	5.5
Lamp Current [A]	35mA
Operating Temperature (MAX) [°C]	40
Run-up time (sec)	<1s
Starting time (sec)	<0.2s
Number of switching cycles	50000
Dimming Capability	Yes
Nominal power [W]	5.5
Nominal lamp voltage [V]	230

Logistic data

DUN Code	10043168846223
EAN Code	0043168846226
Pack Quantity	8
Inner pack type	HANGING BOX
Outer pack type	TRAY OUTER
Layer quantity	216 EUR, 312 UK
Layer quantity EUR	216
Layer quantity UK	312
Pallet quantity EUR (PC)	2808
Pallet quantity UK (PC)	4056
Outer case size	230x118x70 mm
Product status	Available

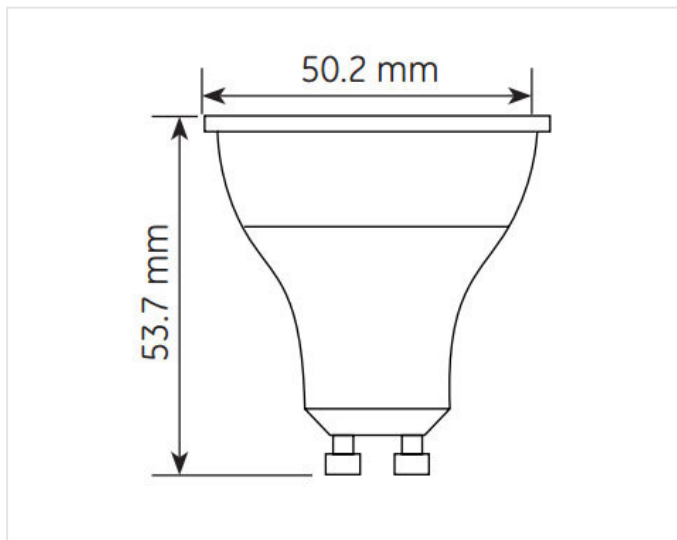
Photometric Data



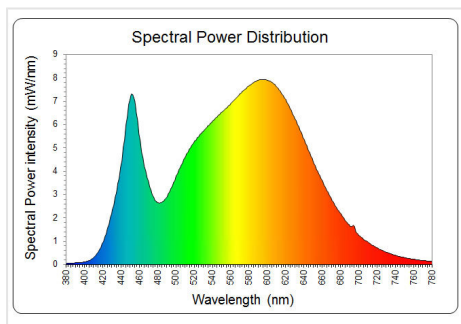
0.5	0.28	E(0°) E(C0)	15.8°	4230 1698
1.0	0.57	E(0°) E(C0)	15.8°	1057 474
1.5	0.85	E(0°) E(C0)	15.8°	470 211
2.0	1.13	E(0°) E(C0)	15.8°	264 119
2.5	1.41	E(0°) E(C0)	15.8°	169 76
3.0	1.70	E(0°) E(C0)	15.8°	117 53

Distance [m] Cone diameter [m] Illuminance [lx]
C0 - C180 (Half-value angle: 31.6°)

Technical drawing



Spectral distribution



Downloads & Links

[Go to the catalog site \(HTTP\)](#)

[Product datasheet \(PDF\)](#)

[Photometry \(IES\)](#)

[High-resolution image \(JPG\)](#)

[LED Lighting Solutions - Catalogue \(PDF\)](#)

[Lighting design tools & calculators \(HTTP\)](#)

[Dimming compatibility \(HTTP\)](#)

[LED Lighting Solutions - Catalogue \(PDF\)](#)

[Lighting design tools & calculators \(HTTP\)](#)

[GU10 range Datasheets \(HTTP\)](#)

[GE Energy Smart™ GU10 Dimmable range images \(HTTP\)](#)

[Certificate for the Quality Management System of GE Lighting EMEA \(PDF\)](#)

[Certificate for the Environmental Management System of GE Lighting EMEA \(PDF\)](#)